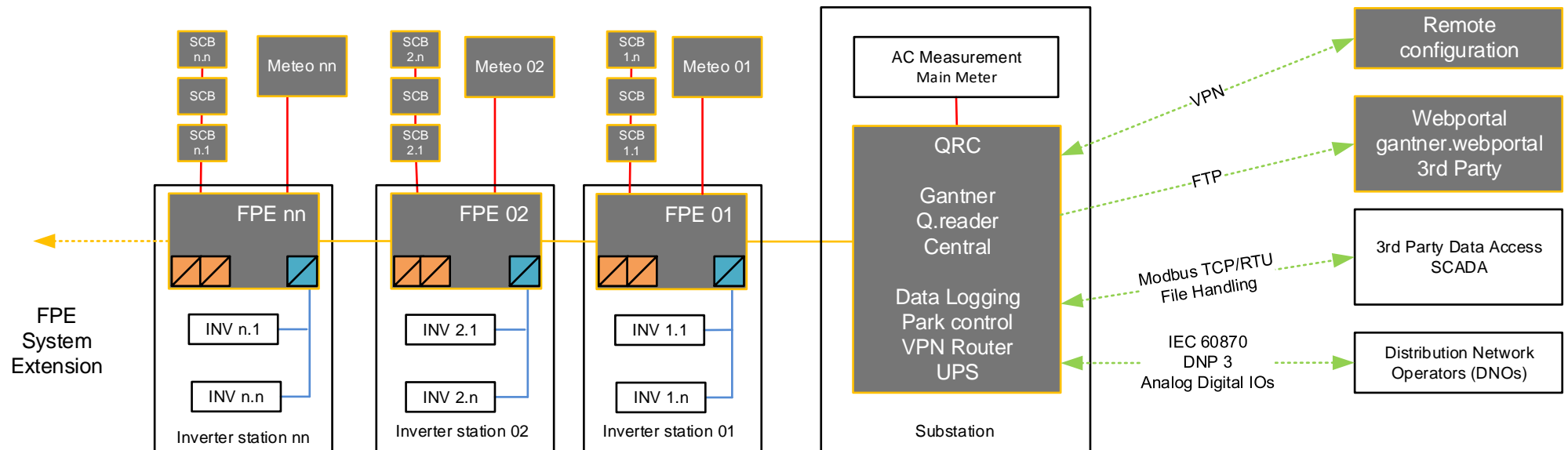


Principal data acquisition and control concept of utility scale PV power plants with central inverters



Communication cable:

- RS485 8x2x0,5 TP shielded
Recommendation max 500m and 25 devices
- Fiber optics cable
Up to 2000m 8x 50-65/125 Multimode
> 2000m 8x9/125 Single Mode
- Ethernet cable
Recommendation max 70-100m
- Remote connection

Converter:

- ▣ Fiber/Ethernet
- ▣ Ethernet/RS485

Abbreviation:

- QRC Q.reader cabinet
- FPE Field Point Extension
- SCB String Combiner Box
- Meteo Meteo station and panel temperature
- INV Inverter
- Gantner Scope